

Ductile Iron Valves

JIS 10K/16K/20K
ASME Class 150/300



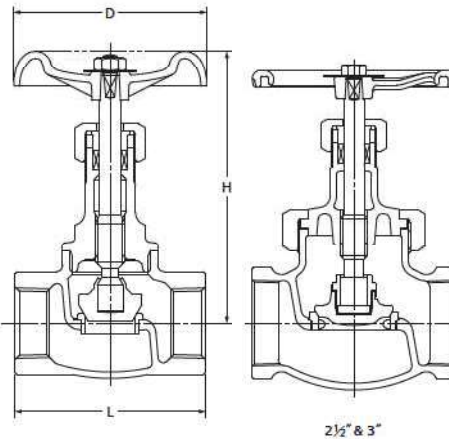
JIS 10K Globe Valve

10SJ

S.B.I.S. or U.B.I.S.



S.B.I.S. for 2" & smaller
U.B.I.S. for 2½" & 3"



End to end : JIS B 2051*
End connection : JIS B 0203
*KITZ Std. for ¼", ⅜", 2½", & 3"

120°C Static water..... 1.4MPa
220°C Steam, air, gas, oil..... 1.0MPa

● Use for lubricating or hydraulic oil is acceptable. Contact KITZ Corporation for technical advice, if valves are used as heat transfer media.

Materials

Parts	JIS material
Body	FCD-5
Bonnet	FCD-5
Stem	SUS420J2
Disc	SUS403
Body seat ring	SUS403
Gland	SUS403 (1¼"~¾": SUS420J2)
Gland packing	Non-asbestos Packing
Packing nut	FCD-5
Handwheel	FCD450-10 (2½" & 3": FCD400-15)
Wheel nut	SS400
Gasket	Stainless Foil Inserted Flexible Graphite
Bonnet ring	FCD-5
Name plate	A1050P

Dimensions

Size	mm									
	8	10	15	20	25	32	40	50	65	80
	inch ¼	⅜	½	¾	1	1¼	1½	2	2½	3
L	50	55	65	80	90	105	120	140	180	200
H (open)	108	108	122	125	146	160	180	198	250	280
D	60	60	70	80	90	100	115	135	180	225

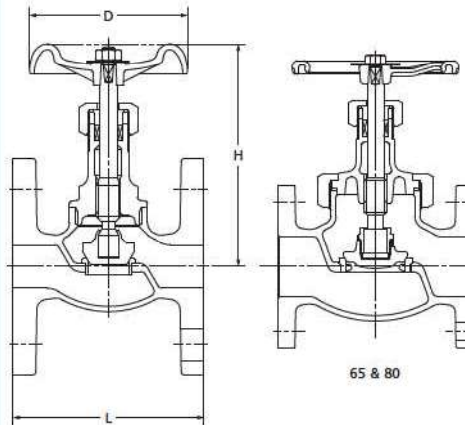
10K Globe Valve

10SJBF

S.B.I.S. or U.B.I.S.
FF-flanged



S.B.I.S. for 50 & smaller
U.B.I.S. for 65 & 80



Face to face : JIS B 2011*
End connection : JIS B 2239 10K
*KITZ Std. for 15

120°C Static water..... 1.4MPa
220°C Steam, air, gas, oil..... 1.0MPa

● Use for lubricating or hydraulic oil is acceptable. Contact KITZ Corporation for technical advice, if valves are used as heat transfer media.

Materials

Parts	JIS material
Body	FCD-5
Bonnet	FCD-5
Stem	SUS420J2
Disc	SUS403
Body seat ring	SUS403
Gland	SUS420J2 (32,65 & 80 : SUS403)
Gland packing	Non-asbestos Packing
Packing nut	FCD-5
Handwheel	FCD450 (65 & 80 : FCD400)
Wheel nut	SS400
Gasket	Stainless Foil Inserted Flexible Graphite
Bonnet ring	FCD-5 (65 & 80)
Name plate	A1050P

Dimensions

Size	mm									
	10	15	20	25	32	40	50	65	80	
	inch ⅜	½	¾	1	1¼	1½	2	2½	3	
L	85	85	95	110	130	150	180	210	240	
H (open)	108	122	125	146	160	180	198	250	280	
D	60	70	80	90	100	115	135	180	225	

NOTE : For flange dimensions, refer to Page 44. ※RF-flanged ends shall be optionally available.